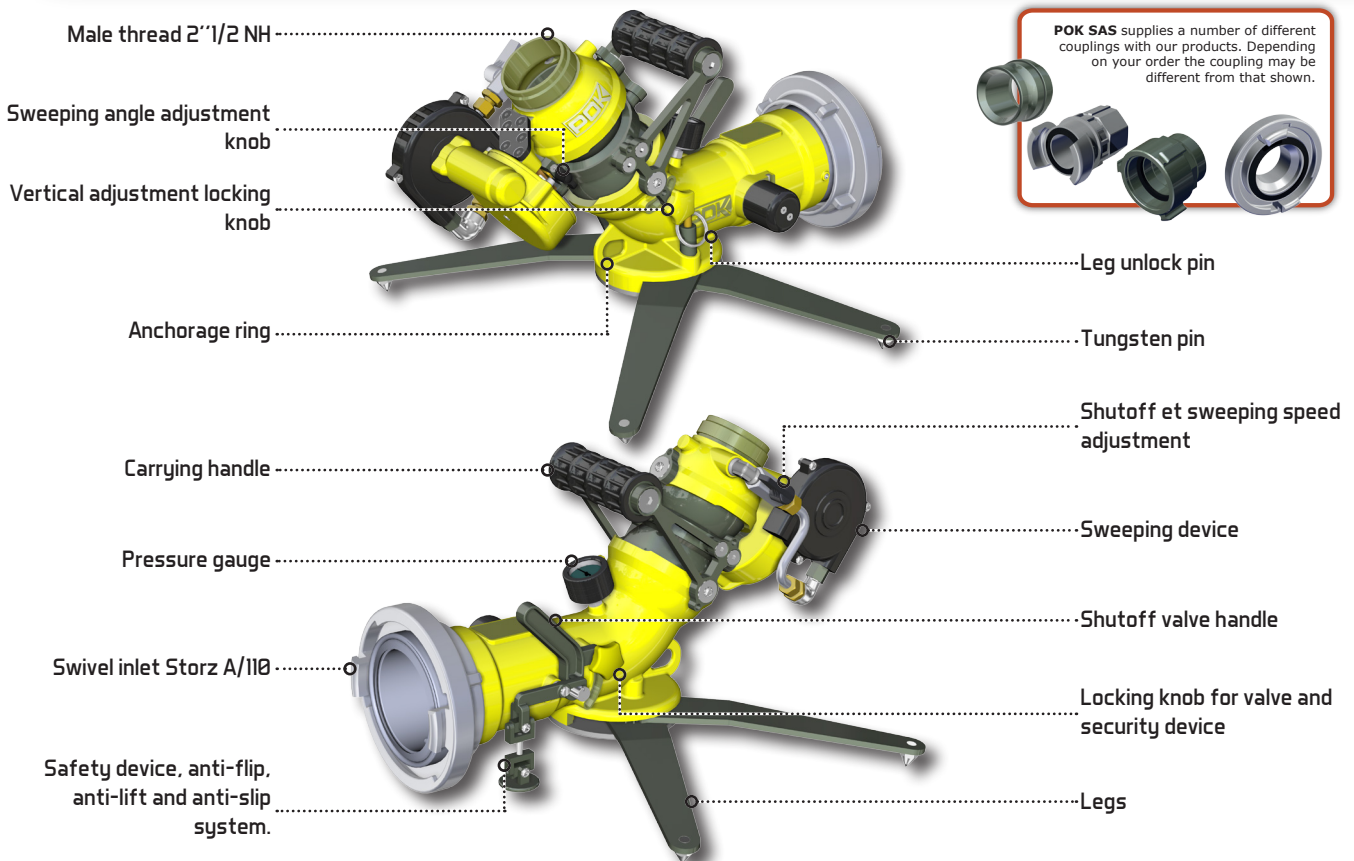


## Monitor MONTMIRAIL - with automatic sweeping

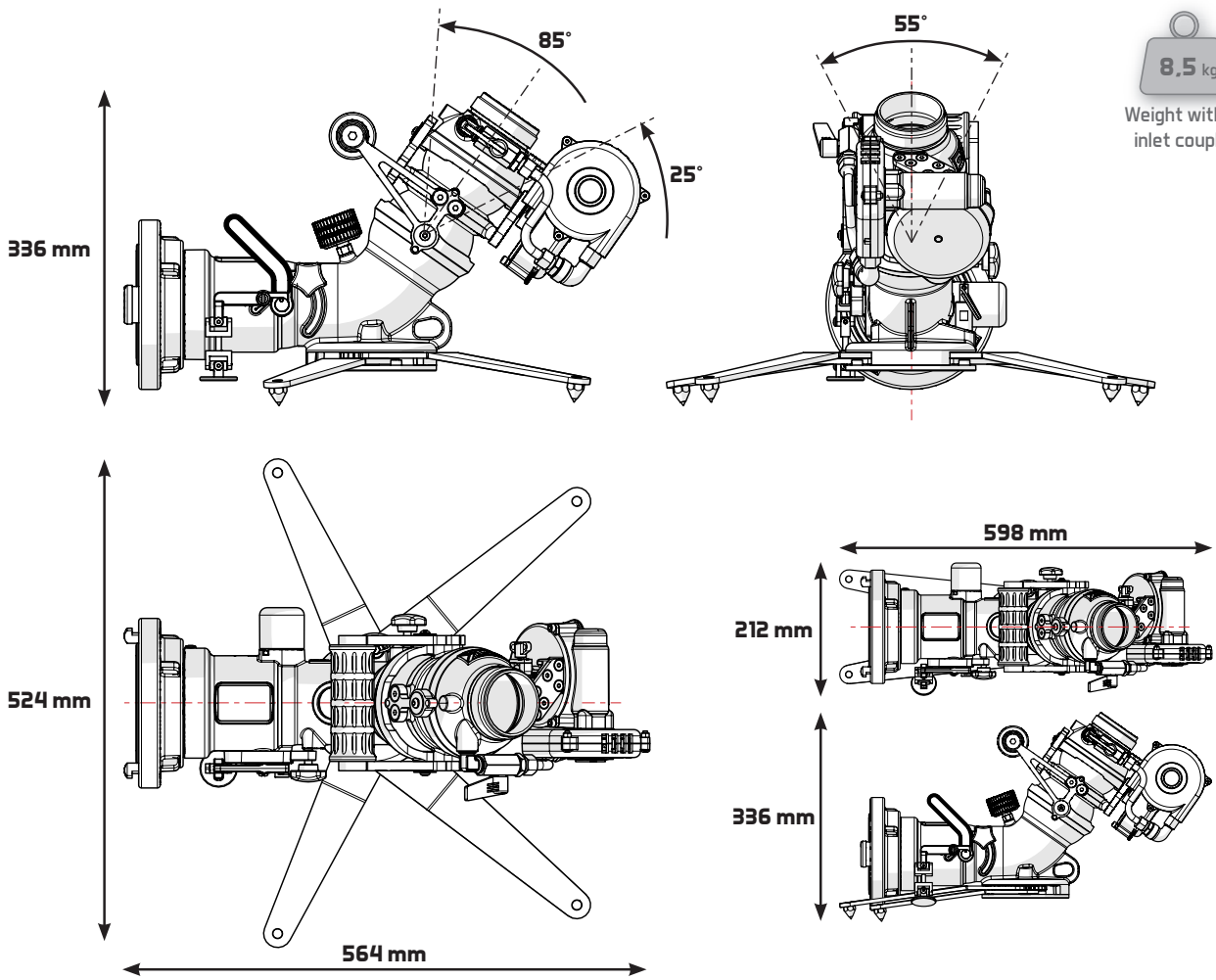


### CHARACTERISTICS

Reference	• 33672
<b>Construction</b>	
Body and legs	• Aluminium alloy
Axis, screws and spring	• Stainless steel
<b>Hydraulic Characteristics</b>	
Working pressure	• 16 bar
Test pressure	• 25,5 bar
Horizontal range	• from 0° to 55°
Vertical range	• from 25° to 85°
Safety devices	<ul style="list-style-type: none"> <li>• Anti-flip, anti-lift and anti-slip system</li> <li>• Shutoff valve</li> <li>• Anchorage ring and strap</li> <li>• Locking legs pin</li> </ul>
<b>Mechanical Characteristics</b>	
Inlet	• Swivel coupling Storz A/110
Outlet	• Male thread 2 1/2 NH

Doc 1992 En Rev B - 23/01/2014 - Copyright © POK SAS - Illustrations non contractuelles

## Monitor MONTMIRAIL - with automatic sweeping



### PRESSURE LOSS CURVE

**Kv change from 2288 to 3394 depending on different inclinations - Kv is expressed in  $\frac{Q(l/min)}{\sqrt{P(bar)}}$**

